



wood Parquet



WICANDERS®

Nature at your feet

Amorim Revestimentos S.A

Rua do Ribeirinho 202

P. O. Box 13

4536-907 S. Paio de Oleiros

PORTUGAL

p_ (+351) 227 475 600

e_ wicanders.ar@amorim.com

www.wicanders.com

Enabling wellbeing in every room



Rustic Forest Oak



WICANDERS®

Nature at your feet

Wicanders has a legacy that goes back to 1868 and is the global leading brand in flooring products with cork technology. Present in more than 70 countries, its promise is to provide Floors for Living, ready for real life, for our home and office, for our different rhythms, for our family and pets, for all those wonderful and simple, yet sometimes unexpected moments. Floors for our lives.

Over the years, Wicanders has developed sustainable floor and wall coverings with exclusive properties due to its innovative Corktech technology. By combining state of the art technology with the exclusive natural properties of cork, a higher standard in flooring is achieved. Available with cork, wood and stone looks, its products are able to provide a silent and thermally insulated environment, that endures impacts and is very comfortable to walk and stand on.

Wicanders means wellbeing, a choice for life!





BORN FROM NATURE

In order to guarantee top-quality products, Wicanders works with certified factories on various continents, adopting a sourcing strategy that turns possible the use of specific technologies, suited to the distinct characteristics of each individual wood species. This strategy enables us to offer unique products, while contributing to the economic development of problematic regions. This process is monitored by an Amorim committee of experts who ensure compliance with Wicanders parameters.

Inspired by Nature

Mother Nature offers us perfection in the form of precious wood, which Wicanders selects and transforms into exclusive flooring so that your everyday surroundings give you the calm and comfort of the purest emotions.

Environmentally responsible

Wicanders philosophy is one of deep respect for nature, reason why it only uses timber either from certified forests, or at least from sustainable and legal forestry. Composed of 100% natural materials, the multi-layer construction allows to take full advantage of each species, using fewer resources than in solid wood floor production.

Enduring Beauty

Composed of three or multi-layer top quality technology structure, based on solid wood, Wicanders Parquet is very resistant and durable due to breakthrough manufacturing solutions that define this innovative concept. Its sturdiness is immediately felt, accentuating the charisma and comfort of your space for years to come.

wood Parquet

5

THINK GREEN

22

WICANDERS' RANGE

25

Sample images are cut from larger pieces. Decor and shade may vary slightly.

wood Parquet

Oak | Ash | Larch

Formats

- 2200 x 260 x 15mm
- 2200 x 220 x 15mm
- 2200 x 206 x 13,5mm
- 2000 x 185 x 13mm
- 1900 x 190 x 15mm
- 1900 x 190 x 14mm
- 1860 x 189 x 15mm
- 1860 x 189 x 14mm
- 1830 x 189 x 15mm
- 1800 x 185 x 13mm
- 600 x 120 x 14mm

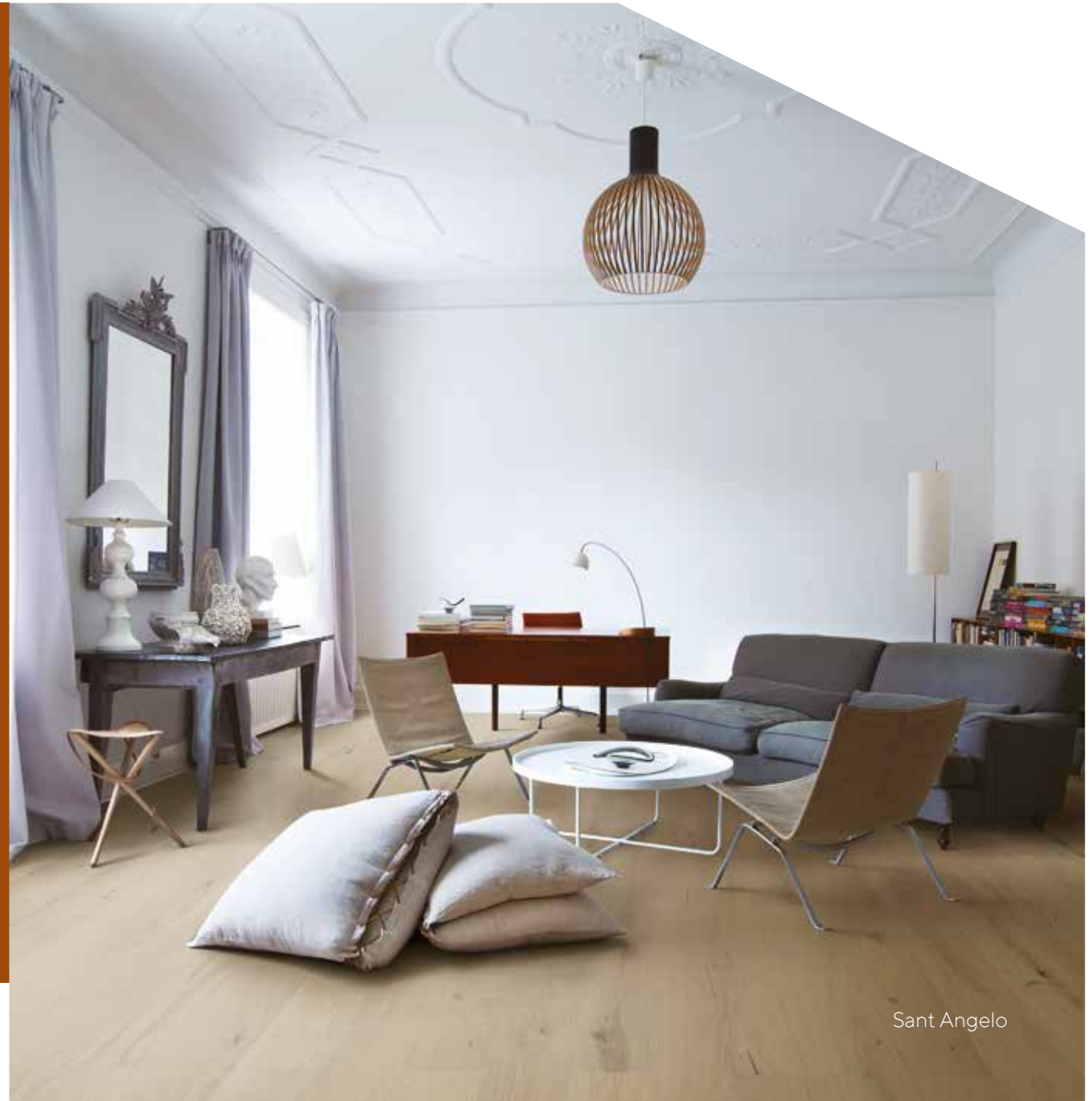


RANGE

Parquet



Engineered wood



Sant Angelo

European Castle



Kensigton



Bellevue

RW04383A¹ Oak | Rustic
Brushed | Oxidative Oil
2000 x 185 x 13mm



Rosenborg

RW04366A¹ Oak | Rustic
Brushed | Oxidative Oil
2000 x 185 x 13mm



Versailles

RW04363A¹ Oak | Rustic
Brushed | Oxidative Oil
2000 x 185 x 13mm



Marienburg

RW04364A¹ Oak | Rustic
Brushed | Oxidative Oil
2000 x 185 x 13mm



Kensington

RW04365A¹ Oak | Rustic
Brushed | Oxidative Oil
2000 x 185 x 13mm



El Escorial

RW04369A¹ Oak | Nature
Brushed | Oxidative Oil
2000 x 185 x 13mm



Charlottenburg

RW04367A¹ Oak | Rustic
Brushed | Oxidative Oil
2000 x 185 x 13mm



Sant Angelo

RW04362A¹ Oak | Rustic
Brushed | Oxidative Oil
2000 x 185 x 13mm



Windsor

RW04368A¹ Oak | Nature
Brushed | Oxidative Oil
2000 x 185 x 13mm



Wood is a natural material. Variation in colour and texture is a natural and attractive characteristic. The colour in the photos may not be exactly the same as the original colours due to difference in printing.

1. European Castle is produced as FSC Mix, validating that these products are from responsible sources, assuring the Wicanders' Parquet Collection compliance with the highest social and environmental standards on the Market.

European Classic



Bellevue 3S



Bellevue 3S

RW01244 Oak | Rustic
Brushed | Oxidative Oil
2200 x 206 x 13,5mm



Charlottenburg 3S

RW01238 Oak | Rustic
Brushed | Oxidative Oil
2200 x 206 x 13,5mm



Rosenborg 3S

RW01243 Oak | Object
Brushed | Oxidative Oil
2200 x 206 x 13,5mm



Sant Angelo 3S

RW01241 Oak | Rustic
Brushed | Oxidative Oil
2200 x 206 x 13,5mm



Marienburg 3S

RW01223 Oak | Rustic
Brushed | Oxidative Oil
2200 x 206 x 13,5mm



Marienburg 3S+

RW01239 Oak | Object
Brushed | Oxidative Oil
2200 x 206 x 13,5mm

Kentucky



Versailles 3S

RW01240 Oak | Object
Brushed | Oxidative Oil
2200 x 206 x 13,5mm



Kensington 3S

RW01242 Oak | Object
Smoked | Oxidative Oil
2200 x 206 x 13,5mm



Atlanta

RW04246C Oak | Rustic
Smoked | Oxidative Oil
1900 x 190 x 15mm



New Orleans

RW04247C Oak | Nature
Brushed | Oxidative Oil
1860 x 189 x 15mm

Atlanta



Houston

RW04244C Oak | Rustic
Handscraped | Oxidative Oil
1900 x 190 x 15mm



Colorado City

RW04322C Oak | Rustic
Irregular saw marks | Oxidative Oil
1900 x 190 x 15mm



Dallas

RW04243C Oak | Rustic
Handscraped | Oxidative Oil
1900 x 190 x 15mm



Oaklahoma

RW04242C Oak | Rustic
Smoked | Oxidative Oil
1900 x 190 x 15mm



Denver

RW04320C Oak | Rustic
Irregular saw marks | Oxidative Oil
1900 x 190 x 15mm



Grand Canyon

RW04319C Oak | Rustic
Irregular saw marks | Oxidative Oil
1900 x 190 x 15mm

Wood is a natural material. Variation in colour and texture is a natural and attractive characteristic. The colour in the photos may not be exactly the same as the original colours due to difference in printing.





Colorado City



Rhode Island 2S

RW04361A Oak | Rustic
Hard Smoked | Oxidative Oil
1830 x 189 x 15mm



Vermont 2S

RW04360A Oak | Rustic
Hard Smoked | Oxidative Oil
1830 x 189 x 15mm



New Hampshire

RW04359A Oak | Rustic
Hard Smoked | Oxidative Oil
1900 x 190 x 15mm

Victoria



Sand



Steel

RW04255C Oak | Rustic
New Handscraped | Oxidative Oil
1900 x 190 x 15mm



Ivory

RW04254C Oak | Rustic
New Handscraped | Oxidative Oil
1900 x 190 x 15mm



Copper

RW04258C Oak | Rustic
New Handscraped | Oxidative Oil
1900 x 190 x 15mm



Grafite

RW04256C Oak | Rustic
New Handscraped | Oxidative Oil
1900 x 190 x 15mm

Manor House



Sand

RW04253C Oak | Rustic
New Handscraped | Oxidative Oil
1900 x 190 x 15mm



Pebble

RW04450A Oak | Rustic
New Handscraped | Oxidative Oil
1900 x 190 x 15mm



Nottingham

RW04312A Oak | Nature
RW04209A Oak | Nature
Sanded | Oxidative Oil
1900 x 190 x 14mm



Essex

RW04208A Oak | Nature
RW04311A Oak | Nature
Sanded | Oxidative Oil
1900 x 190 x 14mm

Nottingham



Bentinck

RW04316A Oak | Rustic
Sanded | Oxidative Oil
1900 x 190 x 14mm



Abington

RW04313A Oak | Rustic
RW04206A Oak | Rustic
Sanded | Oxidative Oil
1900 x 190 x 14mm



Howard

RW04315A Oak | Rustic
Smoked | Oxidative Oil
1900 x 190 x 14mm



Lumley

RW04207A Oak | Rustic
RW04314A Oak | Rustic
Sanded | Oxidative Oil
1900 x 190 x 14mm



Howard



Keppel

RW04446A Oak | Rustic
Brushed | Low Gloss Varnish
1860 x 189 x 14mm



Carlisle

RW04441A Oak | Nature
Brushed | Low Gloss Varnish
1860 x 189 x 14mm



Stanley

RW04452 Oak | Rustic
Brushed | Low Gloss Varnish
1900 x 190 x 14mm



Jersey

RW04451 Oak | Nature
Brushed | Low Gloss Varnish
1860 x 189 x 14mm



Fane

RW04453 Oak | Rustic
Brushed | Low Gloss Varnish
1900 x 190 x 14mm

wood Parquet



Coventry

RW04340L Larch | Nature
Brushed | Oxidative Oil
1860 x 189 x 15mm



Berkshire

RW04210A Ash | Nature
Sanded | Oxidative Oil
1860 x 189 x 14mm





Devon (XL plank)

RW04386 Oak | Rustic
Brushed | Oxidative Oil
2200 x 260 x 15mm



Derby (XL plank)

RW04385 Oak | Rustic
Brushed | Oxidative Oil
2200 x 260 x 15mm



Lincoln Chevron

RW04447 Oak | Nature
Brushed | Oxidative Oil
600 x 120 x 14mm



Lindsey Chevron

RW04448 Oak | Nature
Brushed | Oxidative Oil
600 x 120 x 14mm

Jewel



Topas

RW04392 Oak | Nature
Sanded | Oxidative Oil
2200 x 220 x 15mm

Sapphire

RW04398 Oak | Rustic
Handscraped | Oxidative Oil
2200 x 220 x 15mm

Carnelian

RW04394 Oak | Rustic
New Handscraped | Oxidative Oil
2200 x 220 x 15mm

Beryl

RW04396 Oak | Rustic
Irregular Saw Marks | Oxidative Oil
2200 x 220 x 15mm



Diamond

RW04391 Oak | Nature
Sanded | Oxidative Oil
2200 x 220 x 15mm

Emerald

RW04397 Oak | Rustic
Handscraped | Oxidative Oil
2200 x 220 x 15mm

Amethyst

RW04393 Oak | Rustic
New Handscraped | Oxidative Oil
2200 x 220 x 15mm

Ruby

RW04395 Oak | Rustic
Irregular Saw Marks | Oxidative Oil
2200 x 220 x 15mm

Sizes

European
Castle



2200 x 185mm
2000 x 185mm
1800 x 185mm

European
Classic



2200 x 206mm

Manor
House



2200 x 260mm
1900x190mm
1860 x 189mm
600x120mm

Jewel



2200 x 220mm

Kentucky

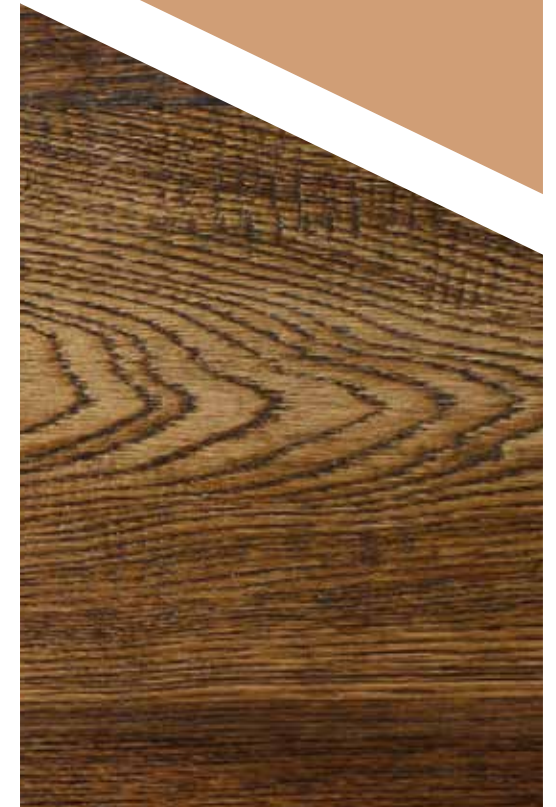


1900 x 190mm
1830 x 189mm

Victoria



1900 x 190mm

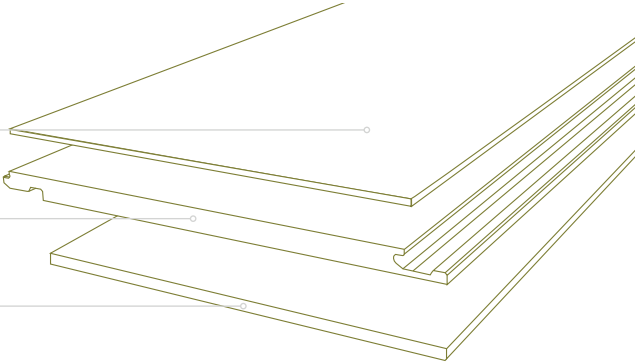


European Castle

HARDWOOD APPROX. 2,5 MM

CORE LAYER MADE OF SOLID WOOD STAVES

BALANCING VENEER



3 PLY

Loc & Fold
GLUELESS SYSTEM

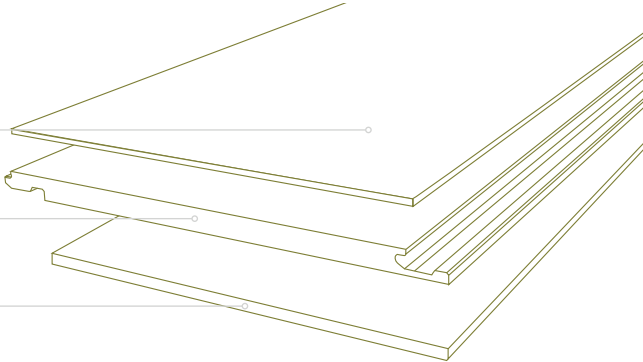
Tongue
& Groove

European Classic

HARDWOOD APPROX. 3,5 MM

CORE LAYER MADE OF SOLID WOOD STAVES

BALANCING VENEER



3 PLY

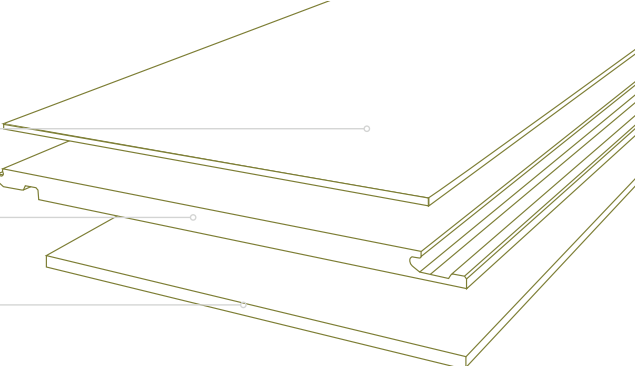
Loc & Fold
GLUELESS SYSTEM

Kentucky & Victoria

HARDWOOD APPROX. 4 MM

CORE LAYER MADE OF SOLID WOOD STAVES

BALANCING VENEER



3 PLY

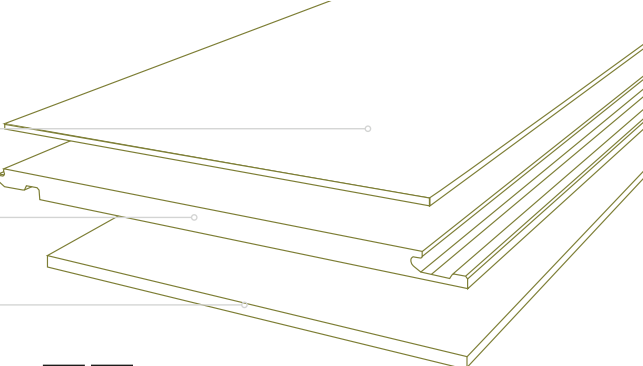
Loc & Fold
GLUELESS SYSTEM

Jewel

HARDWOOD APPROX. 4 MM

CORE LAYER MADE OF SOLID WOOD STAVES

BALANCING VENEER



3 PLY

Loc & Fold
GLUELESS SYSTEM

Tongue
& Groove

Technical Solution

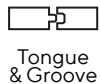
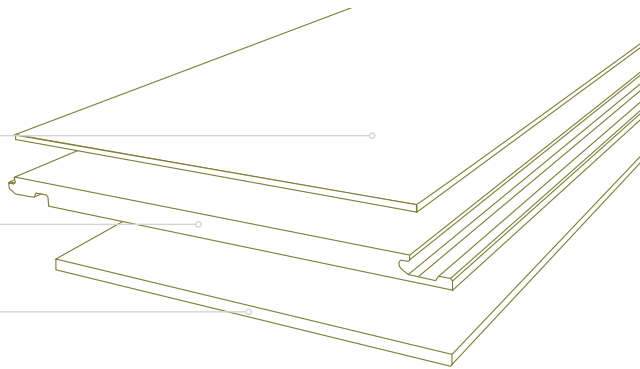
COLLECTION	EUROPEAN CASTLE	EUROPEAN CLASSIC	VICTORIA, KENTUCKY	MANOR HOUSE	JEWEL
Construction	1-strip 3 layers engineered beveled edges on 2 sides	3-strip 3 layers engineered squared edges	1-strip 3 layers engineered beveled edges on 2/4 sides	1-strip 3 layers engineered beveled edges on 2/4 sides	1-strip 3 layers engineered beveled edges on 2/4 sides
Installation system	Loc&Fold / Tongue&Groove	Loc&Fold	Loc&Fold	Loc&Fold / tongue&groove	Loc&Fold / tongue&groove
Manufactured according to standard	EN 13489:2002	EN 13489:2002	EN 13489:2002	EN 13489:2002	EN 13489:2002
Total thickness (mm)	13	13,5	15	14; 15	15
Wear layer (mm)	2,5	3,5	3,5; 4	3; 3,5; 4	4
Length x Width (mm)	2200 x 185 2000 x 185 1800 x 185	2200 x 206	1830 x 189 1860 x 185 1900 x 185	600 x 120 1860 x 185 1900 x 186 2200 x 260	2200 x 220
FSC certified	FSC Mix	No	No	No	No
Species (Hardness)	Oak (38) Eiche	Oak (38)	Oak (38)	Oak (38); Ash (32); Larch (26)	Oak (38)
Fire resistance (EN 13501-1)	Dfl - s1	Dfl - s1	Dfl - s1	Dfl - s1	Dfl - s1
Heat transmission resistance	0,10	0,10	0,165	14/3 mm: 0,115 15/4 mm: 0,165	0,165
Moisture content	7 ± 2%	7 ± 2%	7 ± 2%	7 ± 2%	7 ± 2%
Height difference between planks after installation (mm)	max. ± 0,10	≤ 0,20	≤ 0,20	≤ 0,20	≤ 0,20
Finish	Oxidative curing oil	Oxidative curing oil	Oxidative curing oil	Oxidative curing oil Extra low gloss varnish	Oxidative curing oil
Formaldehyde emission	E1	E1	E1	E1	E1

Manor House

HARDWOOD APPROX. 3 MM / 4 MM

CORE LAYER MADE OF SOLID WOOD STAVES PLYWOOD

BALANCING VENEER





Think green, choose Wicanders!



The mark of
responsible forestry
Only the products that are
identified as such on this
document are FSC certified.



RW22-01

www.realwood.eu

A commitment to nature's respect

FSC® (Forest Stewardship Council®) is an independent, non-governmental, nonprofit organization established to promote the responsible management of the world's forests. The FSC forest certification system is an internationally recognized standard-setting which assures that the wood used in a product derives from an environmental appropriate, socially fair, economical viable production process and in compliance with all applicable laws.

The FSC® label provides a credible link between responsible production and consumption of forest products, enabling consumers and businesses to make purchasing decisions that benefit people and the environment as well as providing ongoing business value.

Look for FSC® certified Wicanders products in this brochure.

Wicanders' range

LOOKS



	cork	wood	stone
Go	Heavy Traffic Residential areas, Budget products	Heavy Traffic Residential areas, Medium Traffic Commercial areas, Budget products	Heavy Traffic Residential areas, Moderate Traffic Commercial areas, Budget products
Essence	Heavy Traffic Residential areas, Moderate Traffic Commercial areas	Heavy Traffic Residential areas, Medium Traffic Commercial areas	Heavy Traffic Residential areas, Medium Traffic Commercial areas
Resist	-	Heavy Traffic Residential areas, Heavy Traffic Commercial areas	-
Resist ⁺	Heavy Traffic Residential areas, Heavy Traffic Commercial areas, Extra Cork	Heavy Traffic Residential areas, Heavy Traffic Commercial areas, Extra Cork	Heavy Traffic Residential areas, Heavy Traffic Commercial areas, Extra Cork
Hydrocork	-	Heavy Traffic Residential areas, Heavy Traffic Commercial areas, Waterproof	Heavy Traffic Residential areas, Heavy Traffic Commercial areas, Waterproof
Pure	Heavy Traffic Residential areas, Moderate Traffic Commercial areas, Glue down	-	-
Parquet	-	Engineered wood	-

RANGE

Heavy Traffic Residential areas

Moderate Traffic Commercial areas

Medium Traffic Commercial areas

Heavy Traffic Commercial areas

Budget products

Glue down

Extra Cork

Waterproof



WICANDERS®

Nature at your feet



AMORIM

HeadQuarters

Amorim Revestimentos S.A
(+351) 227 475 600
geral.ar@amorim.com

www.wicanders.com

DE	Amorim Deutschland GmbH (+49) 4221 5 93-01	germany.ar.de@amorim.com
BE NE LUX	Amorim Benelux B.V. (+31) 166 604 111	info.ar.nl@amorim.com
AT	Amorim Deutschland GmbH (+43) 1 54 51 65 10	austria.ar.de@amorim.com
CH	Amorim Flooring Switzerland AG (+41) 41 726 20 20	info@amorim.ch
PT	Amorim Revestimentos, S.A. (+351) 227 475 600	geral.ar@amorim.com
ES	Amorim Revestimentos, S.A. (+34) 902 307 407	info.ares@amorim.com
FR	Amorim Revestimentos, S.A. (+33) 800 914 848	info.ar.fr@amorim.com
DK	Timberman Denmark A/S (+45) 995 252 52	timberman@timberman.dk
PL	Dom Korkowy, Sp. z o.o. (+48) 126 379 639	krakow@domkorkowy.pl
US	Amorim Flooring North America (+1) 410 553 60 62	info.ar.us@amorim.com
RU	Amorim Flooring Rus, OOO (+7) 495 280 7860	info.ar.ru@amorim.com
SW	Amorim Flooring Sweden +46 (0)31 107740	order.se@wicanders.com

63959MT-INT | Rev001 | July 2018

